

E200

Nikon[®]
New

ECLIPSE
E200

- **CFI60** Infinity Optical System
- Bright Illumination
- Rugged, Vibration-Free Construction
- Ergonomic Design
- Compact & easy to transport



Biological Microscope

Advanced Educational Microscope



ECLIPSE E200

Advanced Educational Microscope

A new level of optical quality in an educational microscope

Designed for easy, comfortable operation, versatility and durability under constant use

Exceptional Value and Superior Performance

Bright Illumination

- Built-in 6V/20W halogen lamp is easy to change by removing top cover on base
- Compact, Smart New Design easily fits in classroom locker.

Eyepiece Tube

- Siedentopf-type eyepiece tube inclined at comfortable 30 degrees. Interpupillary distance of 47-75mm is largest in its class. 180 degree rotatable eyepoint adjustment to accommodate operators of different builds.

New High-Eyepoint Eyepieces

- Wide 20mm FOV with built-in diopter adjustment on both sides provides easy parfocality adjustment. Eyepieces lock to prevent theft, damage or vandalism.

Unique, New Refocusing Stage

- New design allows stage to be pushed down to handle specimen and return to original focus position when released. Features such as low profile stage design, belt-driven X-axis mechanism, improved cross travel and wider stage surface give the comfort and feel of other Eclipse microscopes.

New Upper Limit Stage Stop

- Upper limit stopper allows user to limit stage movement when using short working distance or high magnification objectives and thick specimens.

Additional Features

- 4 Position, Reversed Nosepiece
- Crisp, sharp images over entire 20mm field of view with new E-Plan Achromat objectives
- Accessories interchangeable with other microscopes in the Eclipse series

Nikon

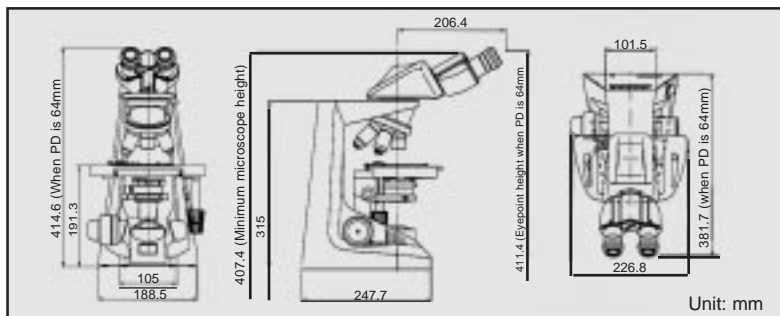
NIKON INC. INSTRUMENT GROUP
1300 Walt Whitman Rd., Melville, NY 11747-3064, U.S.A.
Phone: 1-800-52-NIKON / Fax: 1-631-547-4033
www.nikonusa.com

Specifications and equipment are subject to change without any notice or obligation on the part of the manufacturer. January 2000.

Specifications

Optical system	CFI₆₀ (infinity optical system) Parfocal distance: 60mm
Magnification	40-1500X for observation 8-500X for 35mm photomicrography
Eyepiece tube	E2-TB Binocular tube, E2-TF Trinocular tube Siedentopf type (Inclination: 30°, Interpupillary distance: 47-75mm, 360° rotatable) As an option, all E600/E400 tubes can be used.
Eyepiece	CFI E 10x (F.O.V.: 20mm), CFI E 15X (F.O.V.: 12mm)
Photo lens	PLI projection lens: 2X, 2.5X, 4X, 5X
Nosepiece	Quadruple nosepiece, reversed type
Stage	Rectangular 216 x 150mm surface stage mounted on main body. Cross travel 78x54mm using low-positioned X/Y coaxial control knob
Objectives	CFI E Plan Achromat 4X N.A. 0.10 (F.O.V. 20) CFI E Plan Achromat 10X N.A. 0.25 (F.O.V. 20) CFI E Plan Achromat 40X N.A. 0.65 (F.O.V. 20) CFI E Plan Achromat 100X Oil N.A. 1.25 (F.O.V. 20) As an option, CFI Achromat DL and other higher-grade CFI₆₀ objectives can be used
Condenser	E2 Abbe condenser N.A. 1.25; leaf-type aperture diaphragm with position guide markings for respective CFI E Plan objectives Optional condensers: E2 Phase condenser N.A. 1.25; leaf-type aperture diaphragm with position guide markings for respective CFI Achromat DL objectives Other E600/E400 condensers except Universal Turret condenser (for the model without field diaphragm)
Illumination system	6V-20W halogen bulb

Eclipse E200 model available with field diaphragm to allow use of Koehler illumination. Field lens unit has field diaphragm with position-guide markings



Unit: mm

